



No Glue Non-Rotable Nema Socket Datasheet
ZYS-03B/05B/07B

SPECIFICATION FOR APPROVAL

Supplier Name : Shenzhen Zhongyuan Technology Co., Ltd.

Supplier Part Number : ZYS-03B/05B/07B

Supplier Material Code : 101-302040302/302040502/302040702

Supplier Warranty : Five Years Warranty

Packaging Method : 100PCS/CTN

Special Requirements : _____

Please send back a letter of acknowledgement to our company after sign and stamp.


Customer sign and stamp		Supplier sign and stamp	
Fiction		Admit	
Inspect		Inspect	
Approval		Approval	



Overview

ZYS-03B/05B/07B NEMA (three-wire/five-wire/seven-wire) socket is a connector socket comply with ANSI C136.41 standard, providing reliable outdoor electromechanical connections. It can be twisted and locked to match outdoor street lamp, courtyard lamp and other lighting controllers. In order to solve the problem of how to install the light control at the best angle position, the products we developed can be fixed by screws after the street light installer chooses the best orientation. It is simple, convenient and fast to connect the external circuit of lamps fixtures.

Agency Approvals

Agency	Standard	Agency File Number
	UL 773	E523208

Features

- ◆ Comply with UL773 & ANSI C136.41-2013
- ◆ Fireproof and UV resistant, suitable for various outdoor lamps
- ◆ Convenient / reliable / durable twist-lock connection
- ◆ Preset wires for easy integration into the lamp
- ◆ The length of the wire can be customized, making it easier to adapt to different lamps

Application

- ◆ Outdoor Lighting
- ◆ Area Lighting
- ◆ Street Lighting
- ◆ Landscape Lighting
- ◆ Parking Lot Lighting
- ◆ Roadway Lighting
- ◆ Billboard Lighting
- ◆ Sign Lighting

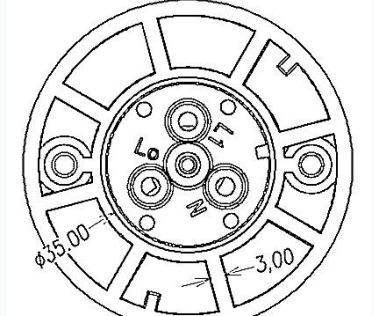
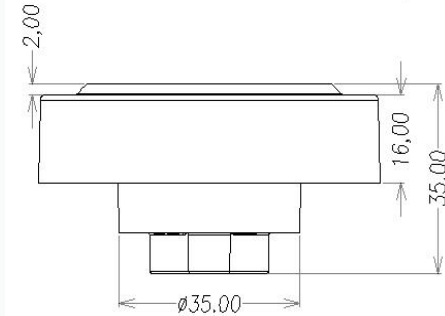
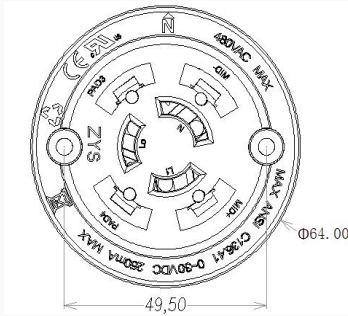
Parameters

Part Number	ZYS-03B/05B/07B (3PIN/5PIN/7PIN)
Rated voltage	0-480Vac
Frequency	50/60Hz
Rated Load Power	AWG#18: 30VDC, 0.25Amp max.AWG#16: 10Amp max
Cable	300mm
Color	Black
Size	Φ64.0mm*31.0mm
Operating Temperature	-40℃~85℃
Relative Humidity	5~99%Rh
Ingress Protection	IP66
Fireproof Grade	PC+ABS,UL94-V0

Notes

The socket line must be connected with the correct power line. To prevent electric shock, please make sure that the power is turned off before installing and removing any wires. All wire connections must be electrically insulated. To install the NEMA socket, we can lock the screw to fix by turning the inner core of the socket and adjust the N indicator. See the following figure for connection mode

Dimension



Wire Specification

Wire specifications	Wire Length	Stripping Tin	Color
UL1015 16AWG	300±1mm	10± 1mm	Li -Black; Lo - Red ; N -White ;
UL1015 18AWG	300±1mm	10± 1mm	DIM+ : Purple ; DIM- : Grey ; For Option:Orange/Brown ;

Diagram

